

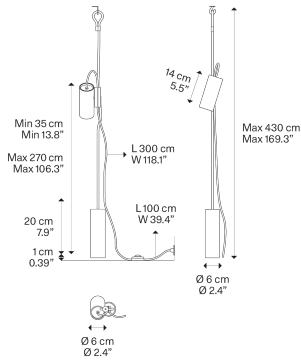
Cima,
Design by Marco Dessí

Model Cima

Inspired by the function of the jam cleats found in sailing boats, Cima—a nautical rope in Italian—is a “suspended” lamp characterised by a ceiling-to-floor rope, a sleek and highly functional design element. A joint that holds the lamp body slides vertically along the rope, while the counterweight allows to manage any excess rope. The simple cylindrical shapes and the black colour of these elements highlight the three brilliant finishes of the rope, vibrant accents to suit any interiors and décor mood.



Cima



Light source

GU10 Par 16 LED
1 x 10 W

W / L max 9 cm
W / L max 3.54"

Bulb not included

Structure: Rope



Silver

Code

17371 4100



Gold

17371 5000



Yellow

17371 5100

Net weight: 1.75 kg

Parcels: 1

CE

IP20



TRIAC

220-240V



ERC